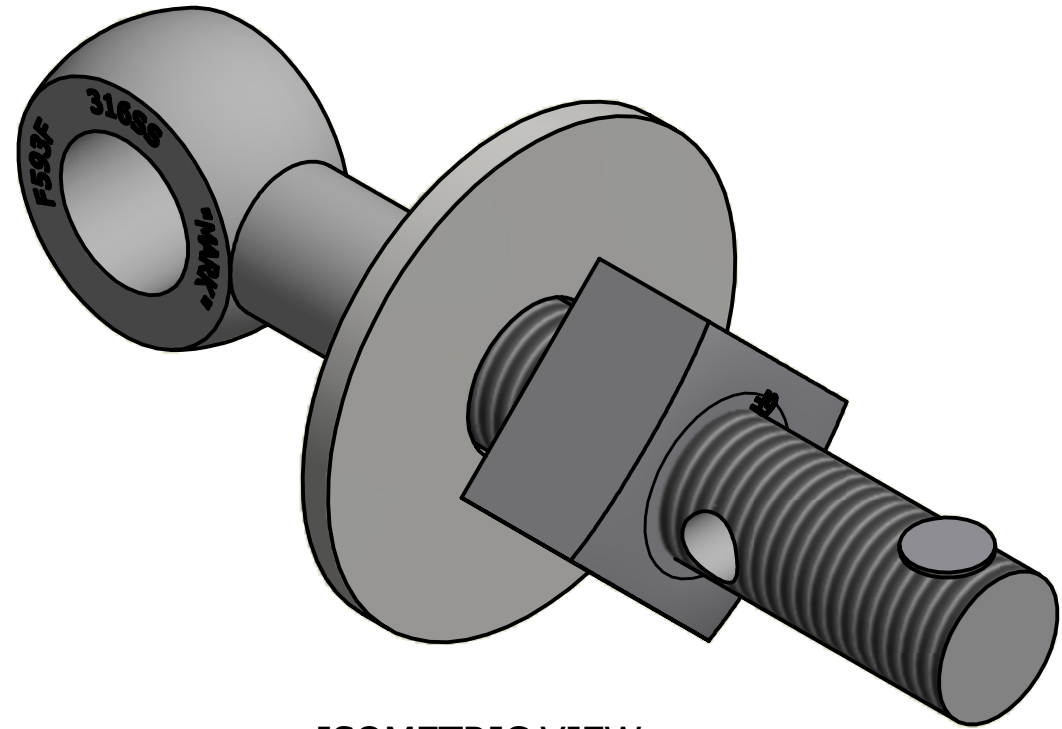
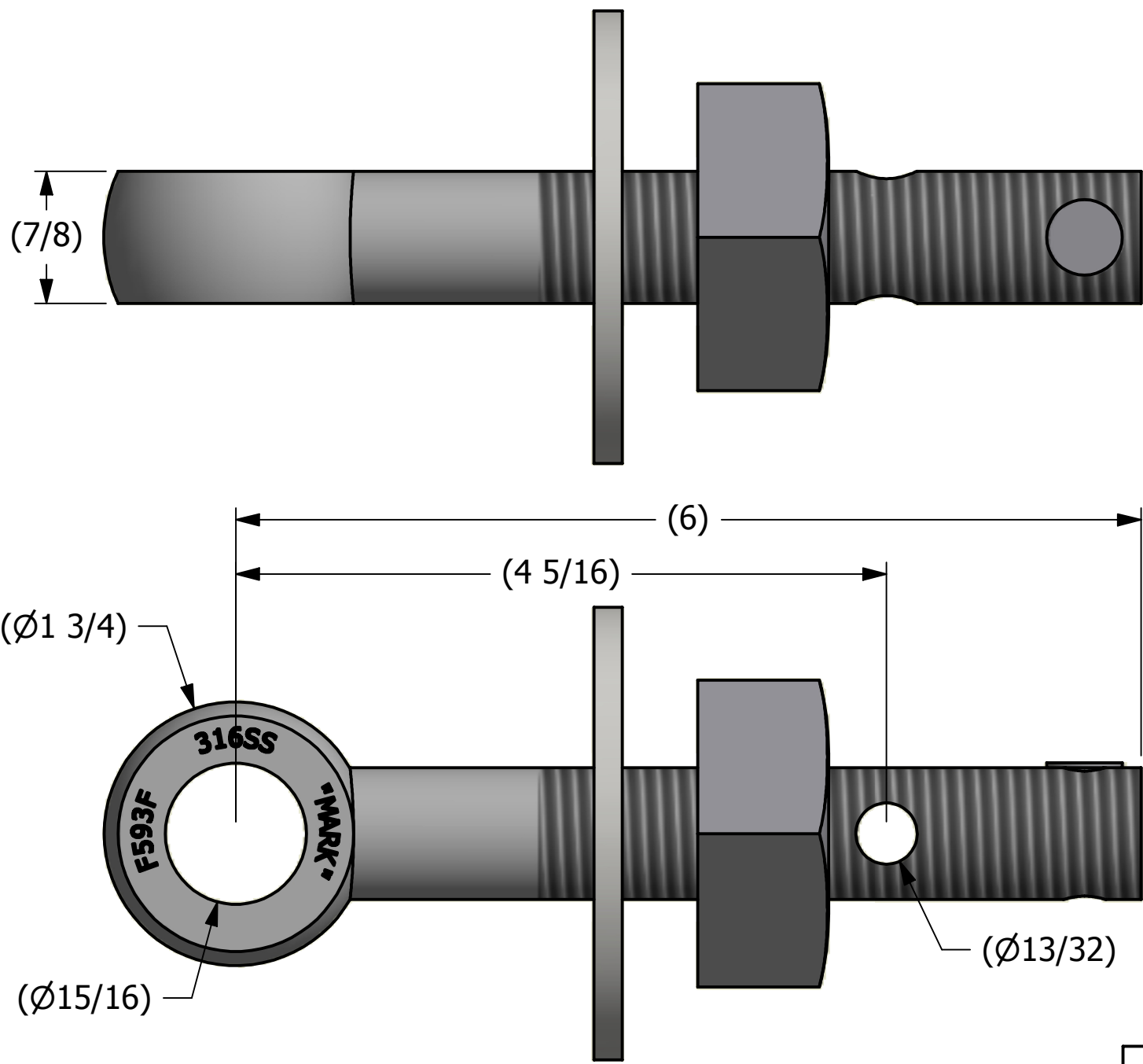



SALES DRAWING

SALES DRAWING



UNLESS OTHERWISE SPECIFIED DIMENSIONAL TOLERANCES		DRAWN BY:	CHL	A   CHL   11-9-06   NEW PART ADDED TO SYSTEM	
FRACTIONAL:	±1/16	CHECKED BY:	ACC	REV   BY   DATE   DESCRIPTION	
X.XX:	±.03	PROTOTYPE BY:	CHL		
X.XXX:	±.015	PROTOTYPE DATE:	3/6/2006		
ANGULAR:	±1°	APPROVED FOR PRODUCTION BY:	ACC	PART NAME: EYEBOLT ASSEMBLY 7/8"X6"	
THIS PRINT, PROPERTY OF SALCO PRODUCTS INC., CONTAINS PROPRIETARY INFORMATION AND MUST NOT BE COPIED, REPRODUCED, OR USED DETRIMENTALLY TO OUR INTEREST.		THIRD ANGLE PROJECTION	PRODUCTION DATE:	11/9/2006	MATERIAL: SS
				PROJECT #: WAG0299	SHEET #: 1 OF 1
				DRAWING #: B21637	PART #: EB786HA2S6
				SCALE: 1:1	